

TECHNICAL DATA SHEET



INDUSTRIAL TOUCH SCREEN DISPLAY

1D-000

ADVANCED USER INTERFACE

The Advanced User Interface allows operators to confidently understand operating status of the connected devices. Each display is customizable to for the specific equipment with user friendly graphical screens that display panel boards and gear exactly as they appear. Enhanced features include time stamped alarm and event logs to capture critical change of states such a breaker actions, voltage events and more. The HMI has been proven in over 50k installations over many years. Available as OEM module or stand alone in free standing enclosure.



Industrial Touch screen



Custom screen development



Single display can support multiple devices



Event Logging



PoE
POE powered option



Remote access options

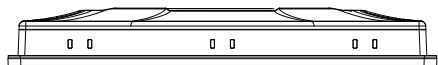
FEATURES:

Plug and play connectivity with the Cortex PQM monitor and many other devices

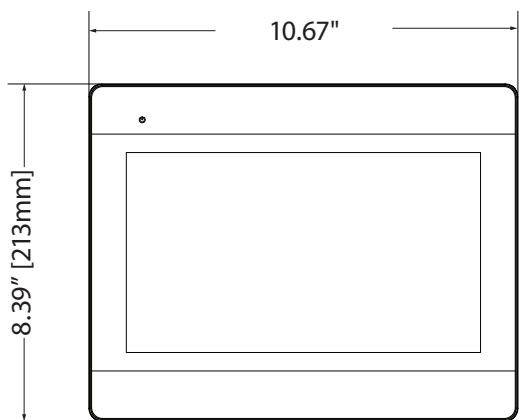
- Easy to understand device specific equipment screens
- True graphical representation of panel boards and breakers and single lines
- Available with site specific custom graphics and user instructions
- Operates off 24 VDC (power supply included) or via POE to allow a single data and power cable
- Multi-device support; one display can support up to up to 32 meters.
- Optional remote access clients display virtual screens over network connections with browser and application based options.
- Alarm event log captures alarms and change of states (optional feature)
- Access to meter configurations; available password protection.
- Utilizes Modbus TCP/IP connection over any network drop or direct to a device(s)
- Easy to mount stand alone enclosure

MECHANICAL DIMENSIONS

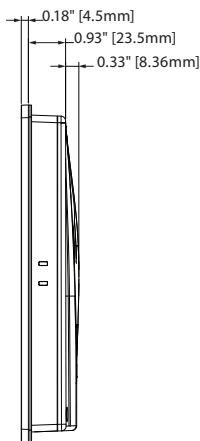
10.0" Version



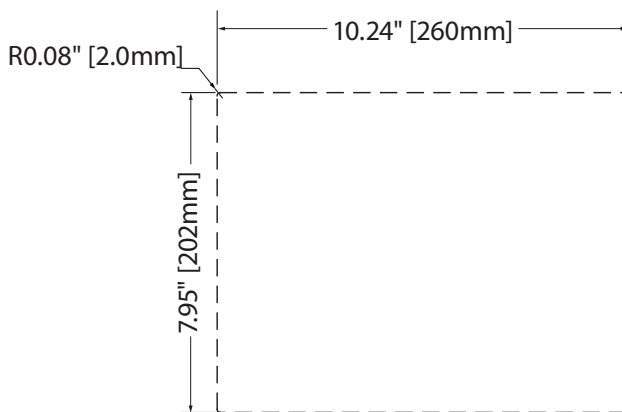
Top View



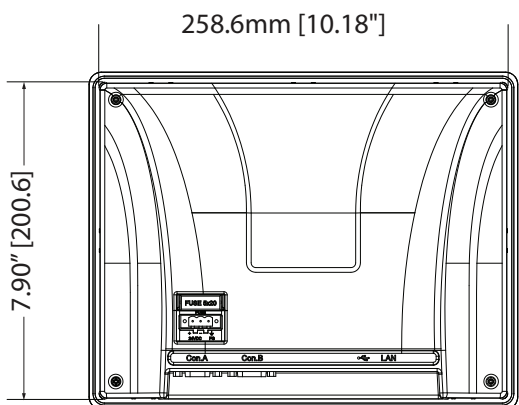
Front View



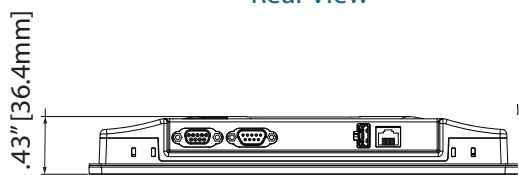
Side View



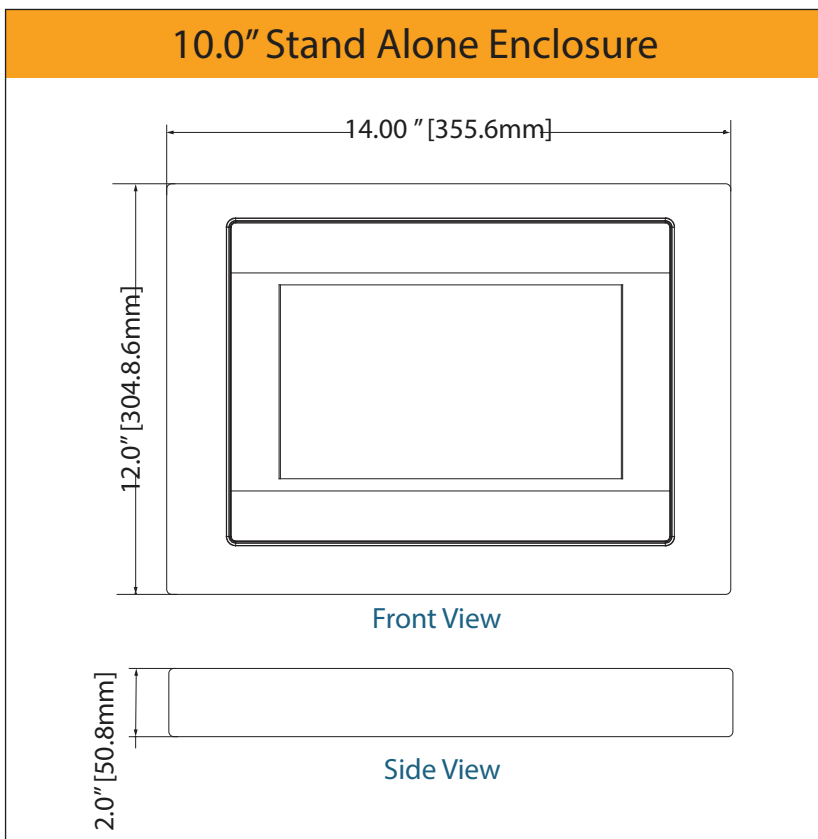
Cut Out Dimensions



Rear View



Bottom View



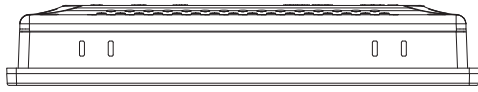
10.0" Stand Alone Enclosure

Front View

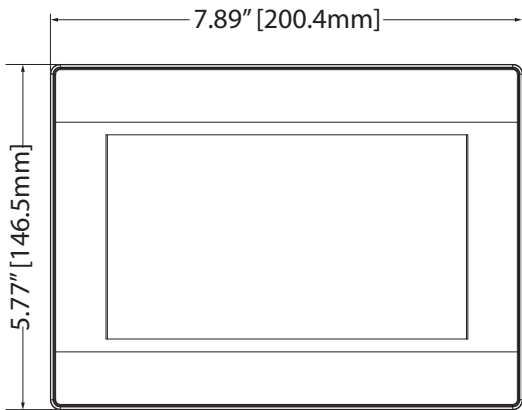
Side View

MECHANICAL DIMENSIONS

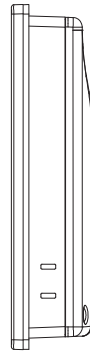
7.0" Version



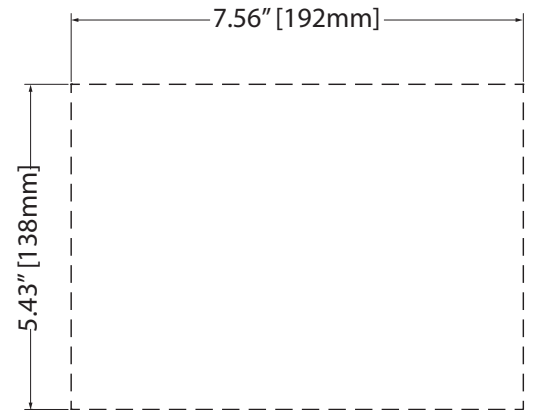
Top View



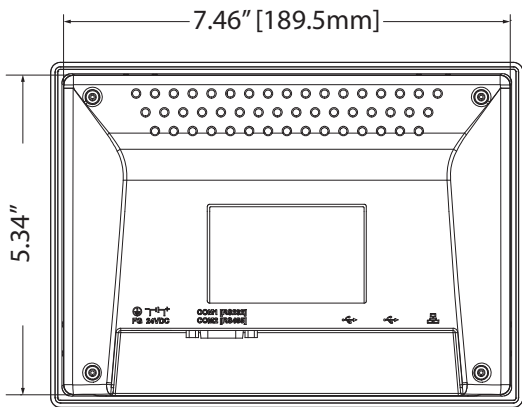
Front View



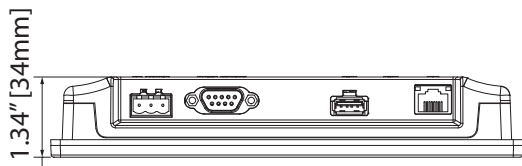
Side View



Cut Out Dimensions

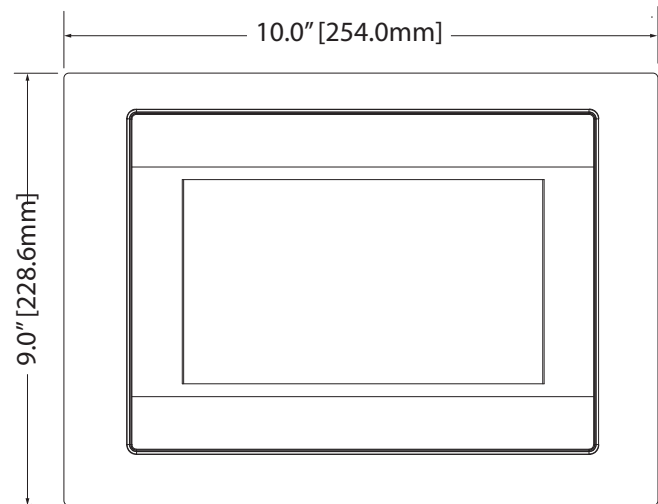


Rear View



Bottom View

Stand Alone Enclosure Version



Front View



Side View

TECHNICAL SPECIFICATIONS

INPUTS	
Input power (standard)	24 VDC (+/- 10%) / POE version 48 VDC
Power Isolation	Internal
Overload protection	Internally fused
Power consumption	10.8W / 0.45 A @ 24 VDC (7.0") 15.6W / .65 A @ 24 VDC (10.0")
Channels / circuit capacity	24 x 4 channels (96 circuits total)

DISPLAY	
Display Type	7" TFT LCD / 10.1" TFT LCD
Resolution	800 x 480 (7.0") 1024 x 600 (10.0")
Luminance (cd/m ²)	300 (7.0") 350 (10.0")
Viewing Angle (H°/V°)	140/120
Contrast Ratio	500:1

COMMUNICATIONS	
Data protocols	Modbus TCP/IP (Ethernet), Modbus RTU (RS-485 2 wire), HTML (web server) optional
Modbus serial specifications	9600, 19200, 38400 Baud (selectable)
Ethernet ports	1 x RJ-45 10/100 Mb (dual port available)
USB port	USB 2.0 Type A
Serial	1 x DE9P COM1: RS-232, COM2: RS-485 2 or 4 wires

ENVIRONMENTAL	
Operating temperature	0° to 55 °C (32° to 131 °F) (<90% RH non-condensing)
Storage temperature	-20° to 60 °C (4° to 140°F)
Enclosure versions	NEMA 1/IP20 (indoor use)

APPROVALS	
Agency approvals	CE, RoHS, UL versions available (class II low voltage exempt)

PRODUCT SELECTION GUIDE

Input power (standard)	24 VDC (+/- 10%) / POE version 48 VDC
Power Isolation	Internal
Overload protection	Internally fused
Power consumption	10.8W / 0.45 A @ 24 VDC (7.0") 15.6W / .65 A @ 24 VDC (10.0")
Channels / circuit capacity	24 x 4 channels (96 circuits total)

PART NUMBERING SCHEME:

ID(7/10) - (24/POE) - (1/24) - (OEM/E) - RB

Screen Size: 7.0" Screen [ID7] 10.0" Screen [ID10]

Power Source: 24 VDC Power [24] POE Power [POE]

Number of Meters Supported: Single Device [1] Up to 12 Devices [12] Up to 24 Devices [24]

No Enclosure [OEM] Standard Enclosure [E]

Remote Browser Access [RB]