

TECHNICAL DATA SHEET



DIGITAL INPUT MODULE

CS18-00-INC

24 CIRCUIT CURRENT SENSOR

HIGH RESOLUTION DATA

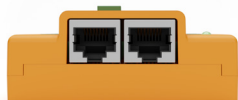
The CORTEX STM-0024 supports 24 x 0.33V current transformers per module with a total of eight modules or 192 circuits per monitor available. Unlike other multi-circuit devices the CTM-0024 can support dual voltage references allowing a single module to support PDUs or dual input switch gear without the expense of duplication equipment.

EASY TO INSTALL / EASY TO USE:

Configuration is easy using a graphical layout tool. Circuit information is displayed exactly according to the PDU or gear layout using customizable screens with friendly name assignments per circuit.

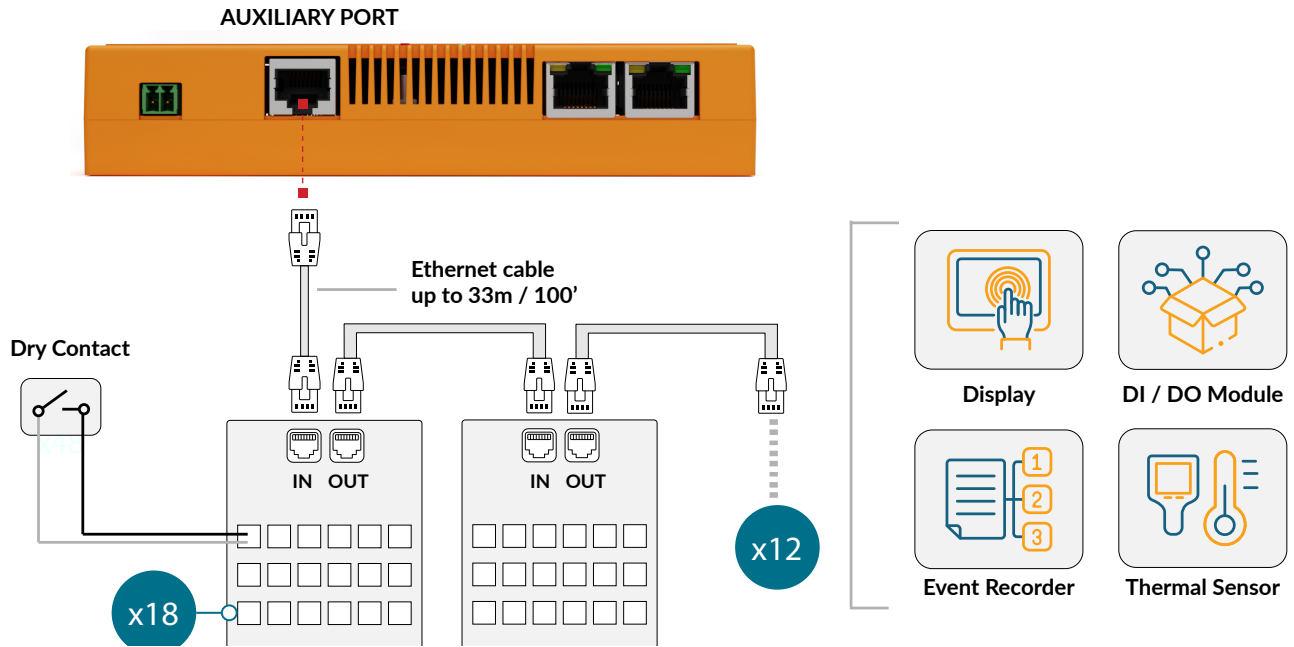
FEATURES:

- Monitor status on up to 18 dry contact inputs
- Daisy chain up to 12 modules for added capacity
- Smart auto adaption / no configuration needed
- Assign friendly names to each channel
- Easy to view via web console
- Smart tags show registers for each channel to simplify integration
- Place modules close to contacts using standard network cable to minimize wiring
- Standard 35mm DIN rail mounting
- UL listed



CONNECTIVITY

- Connects to the Cortex PQM-1000 or PQM-2000 using standard Ethernet cables up to 100' (33m)
- Interfaces with standard dry contact outputs
- Up to 12 modules may be daisy chained via the Auxillary port



EASY INTERFACE WITH FULL LOGGING CAPABILITIES

The HTML console facilitates friendly names for each contact while the register reveal mode lists registers for each contact to simplify integration. All change of states are captured on a time stamped event log.

Digital Input Module 1 ?

Port Details: 18 Contacts, STATUS=GOOD

Terminal ID and status	Friendly name	Register
1	TVSS	4567
2	XFMR HIGH TEMP	4568
3	XFRMR OVER TEMP	4569
4	CB 1	4570
5	CB 2	4571
6	CB 3	4572
7	CB 4	4573
8	CB 5	4574
9	CB 6	4575
10	CB 7	4576

Closed Open

Event Log

10 entries per page Search...

Type	Category	Circuit	Event #	Timestamp
Change of State	DI Contact	CB 1 Trip	1	2011/04/25
Change of State	DI Contact	CB 5 Open	2	2011/07/25
Change of State	DI Contact	CB 2 Closed	2	2009/01/12

Event log captures all change of states with a time stamp

Register identification simplifies integration.

TECHNICAL SPECIFICATIONS

Regulatory

Agency approvals	cUL 61010 Listed / IEC/EN61010-1, CE
Installation Category	Cat III, pollution degree 2
Conducted and radiated emissions	FCC part 15 Class A, EN55011/EN61000-6-4 Class A
Conducted and radiated immunity	EN61000-6-2 and EN61326-1
RoHS	Compliant
UKCA	Compliant

Environmental

Temperature	Operating: -0 °C (14 °F) to +80 °C (XX °F) Non-Operating: -25 °C (-13 °F) to +80 °C (158 °F)
Relative humidity	5 to 95% at 25 °C (77 °F), non-condensing
Operating elevation	2000m with no thermal derating
Pollution degree	2
Enclosure type	NEMA 1 / IP20

Measurement

Input channels	18 per CT card (total of eight CT cards per monitor supported)
Input type	Dry contact

Installation

Interface ports	RJ45 x 2 (CAT 6A recommended)
Mounting	35 mm DIN rail
Supply power	Integrated into communication cable
Dry contact connection point	3.5mm screw terminal header (16-24 AWG wire)

Mechanical

Dimensions	3.42" D x 1.84" H x 2.82 W
------------	----------------------------